



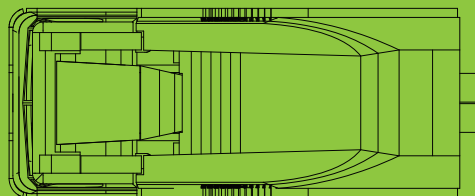
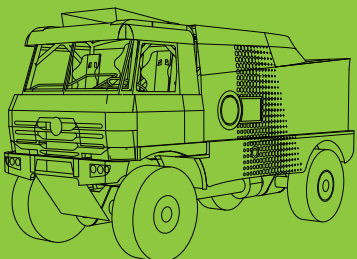
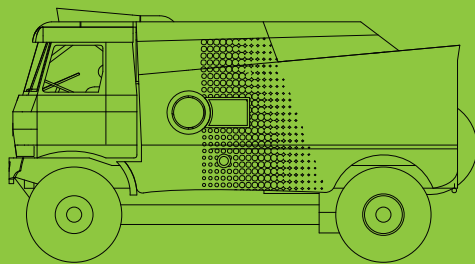
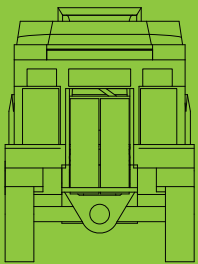
TATRA 815-2COR45

4x4.T Variant Kit



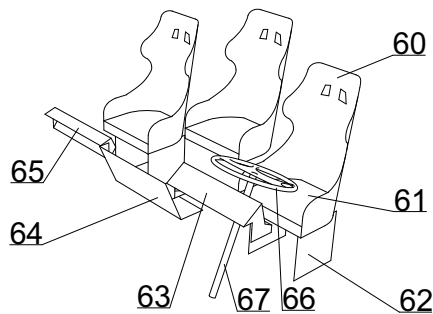
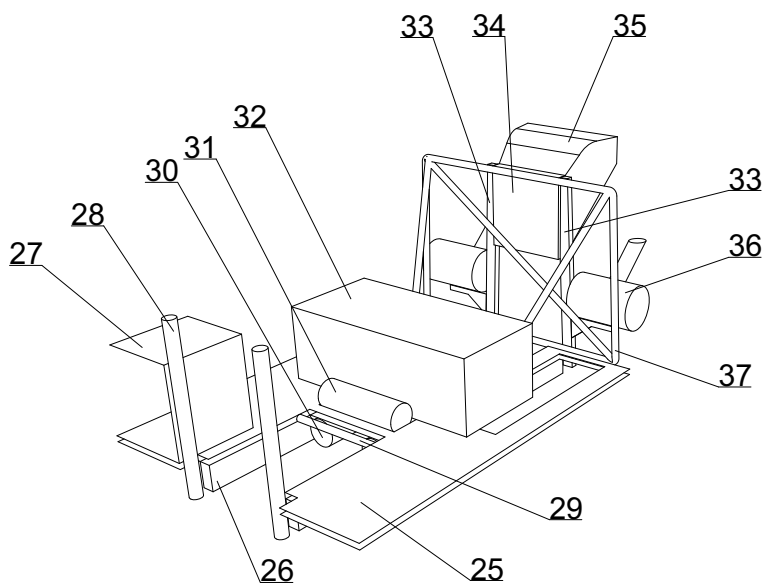
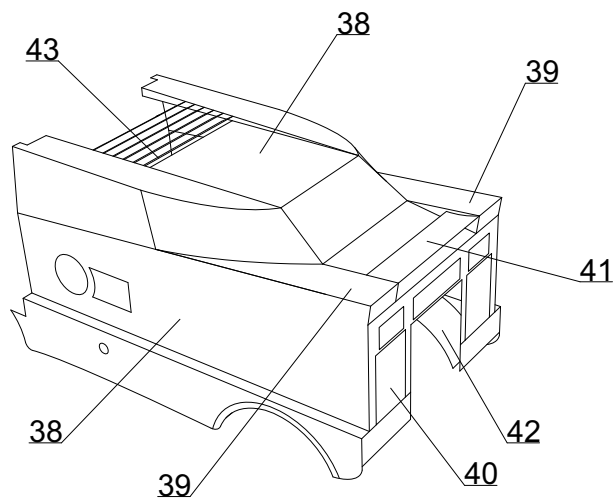
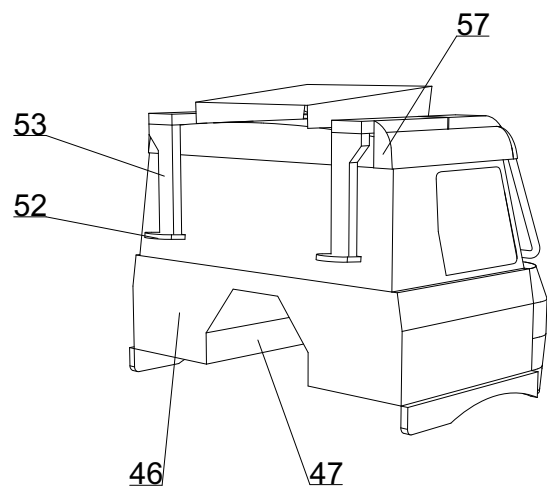
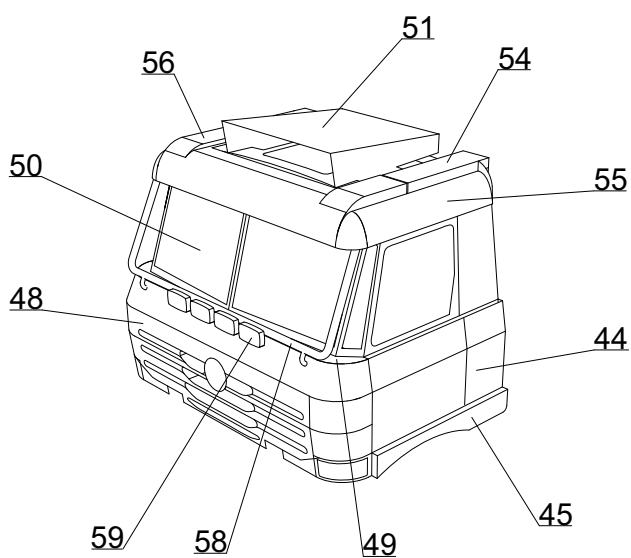
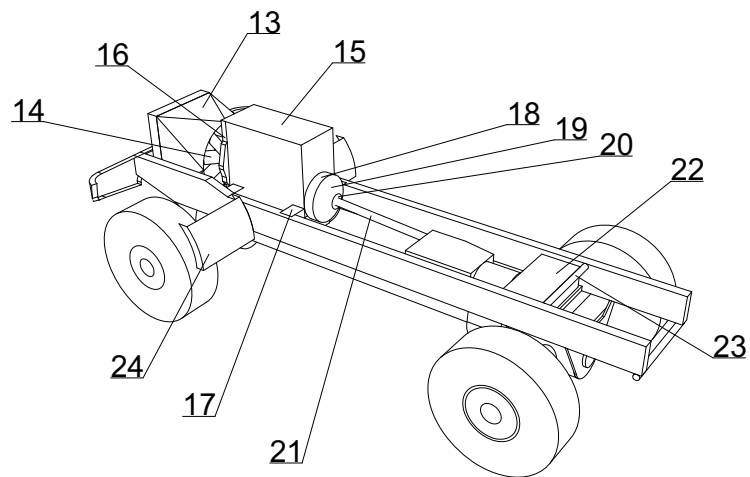
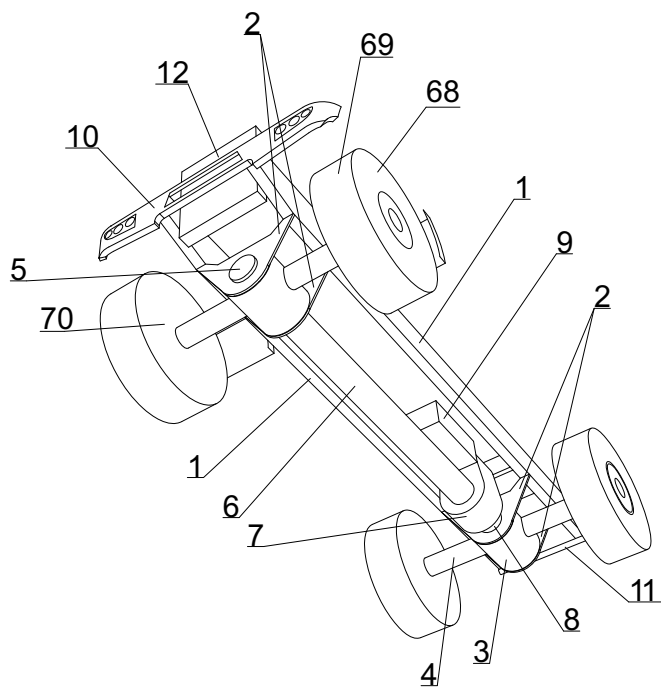
 **506** 2013
PERU
ARGENTINA
CHILE

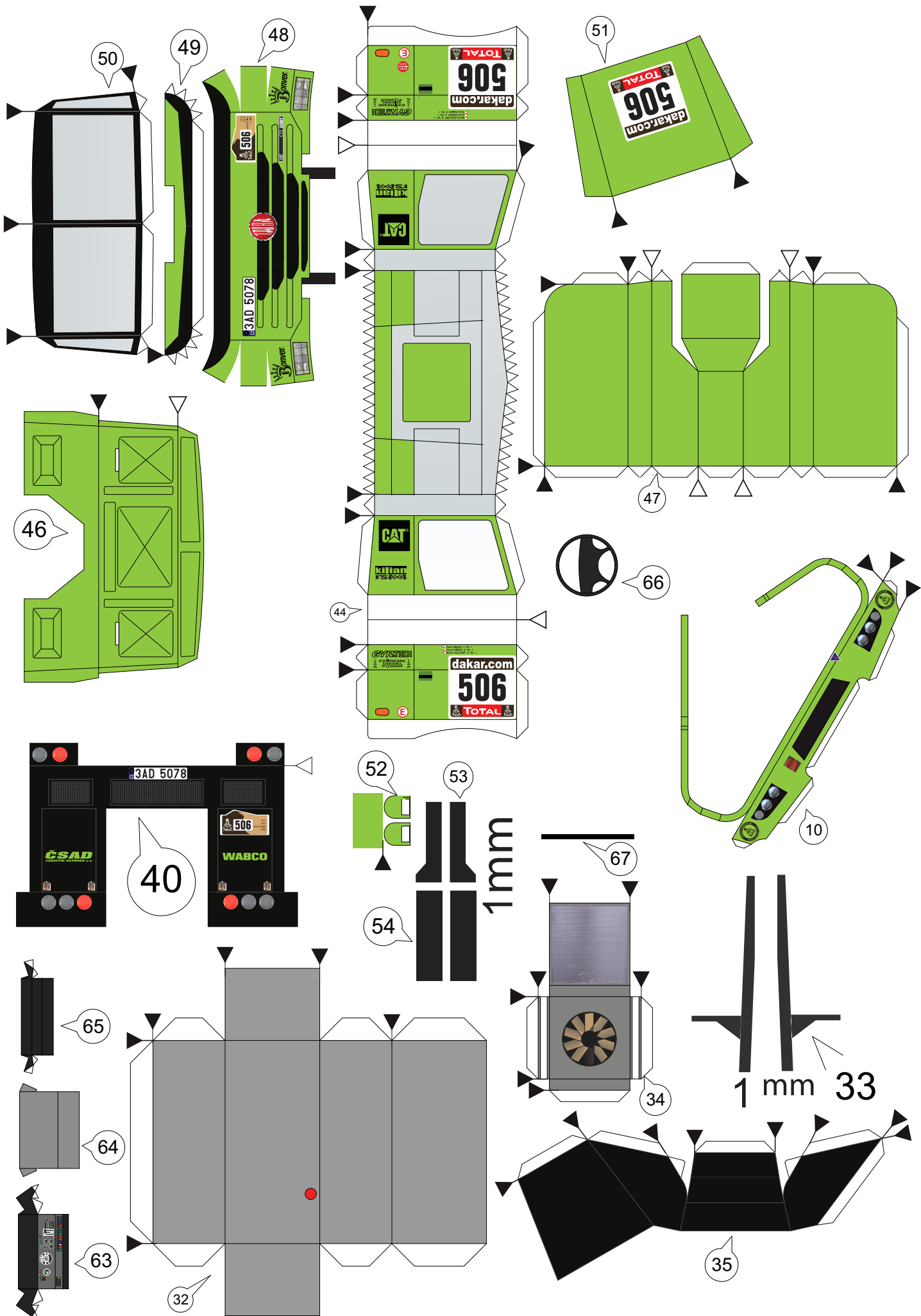
-  Martin KOLOMÝ
-  David KILIAN
-  René KILIAN

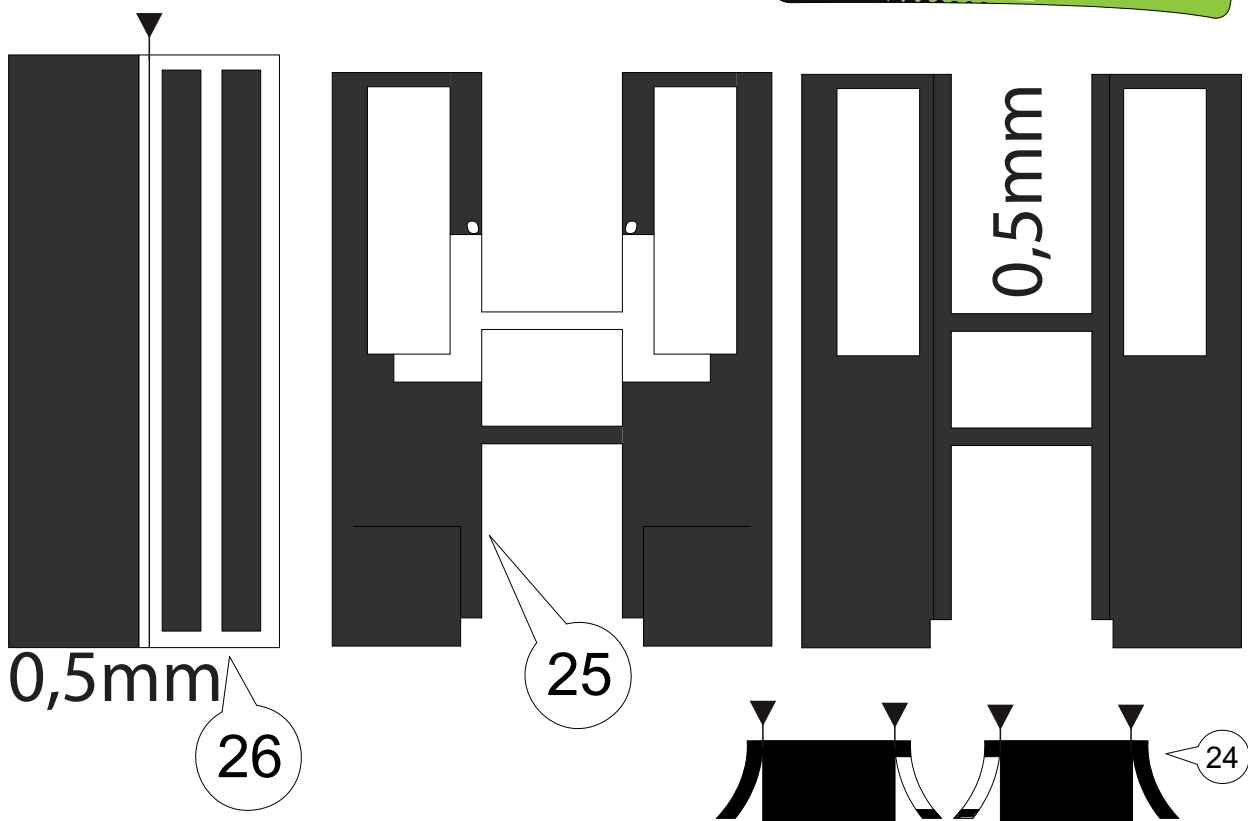
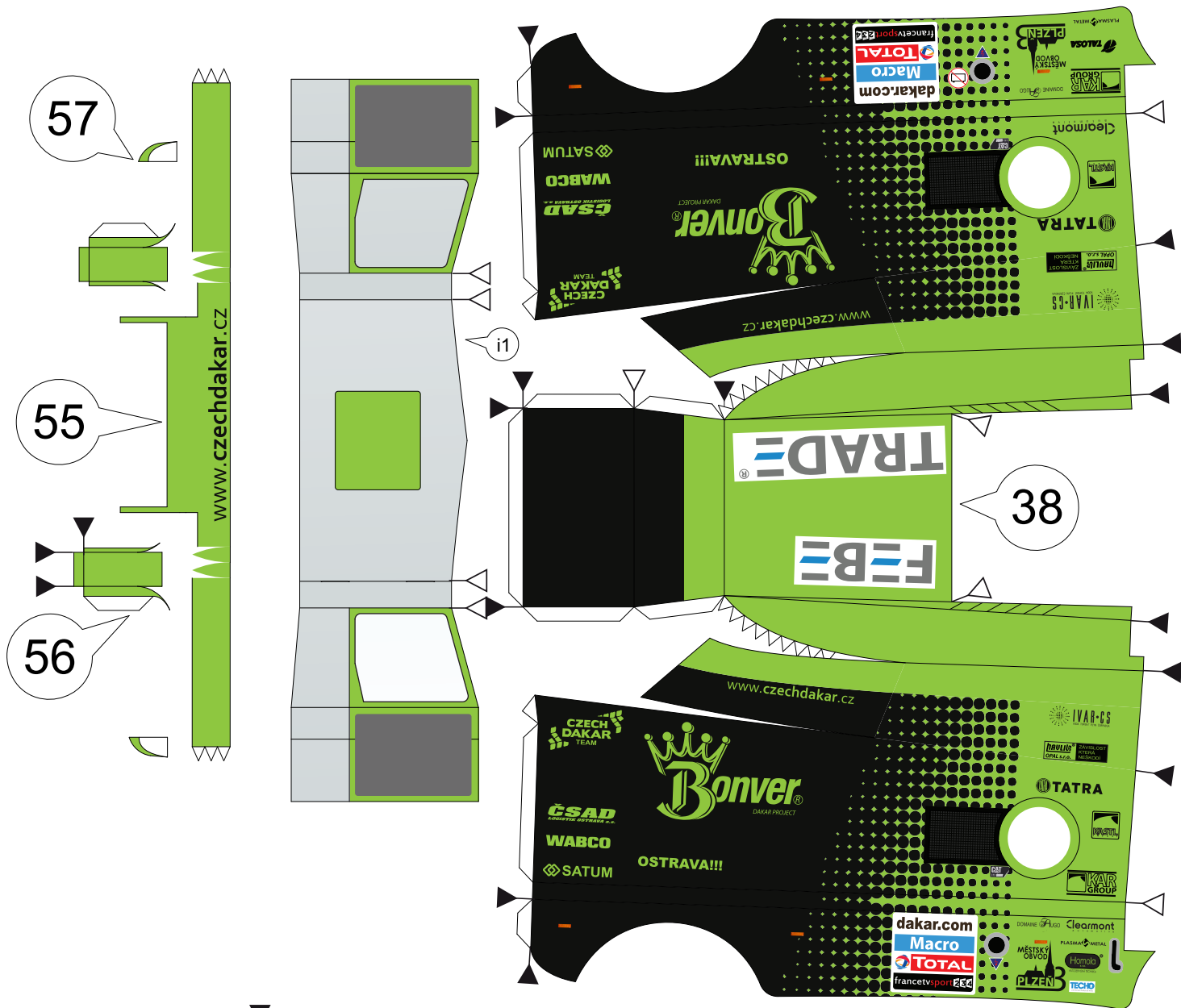


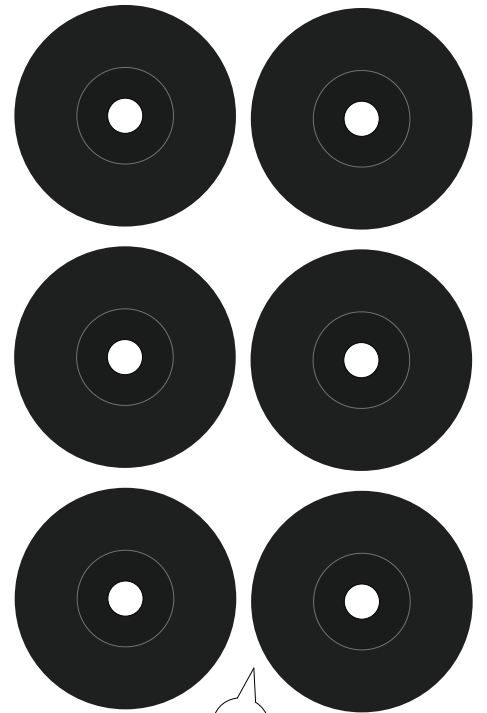
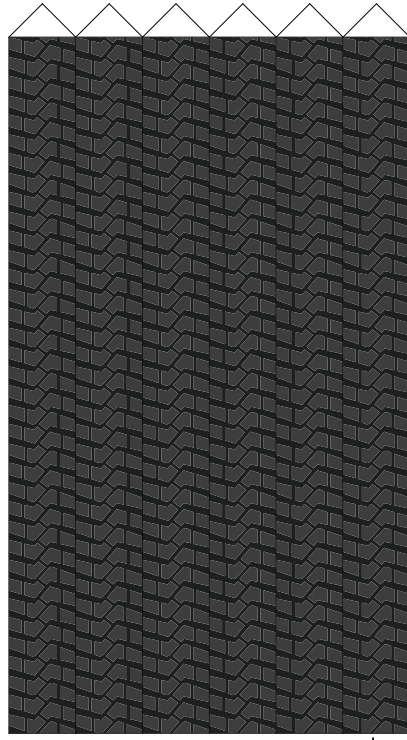
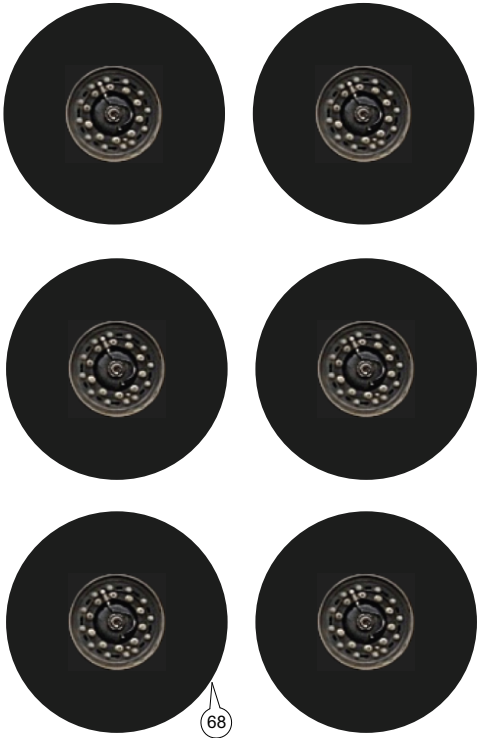
1:43

Dody





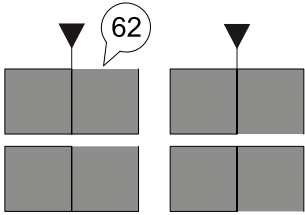




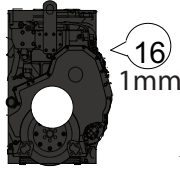
68

69

70



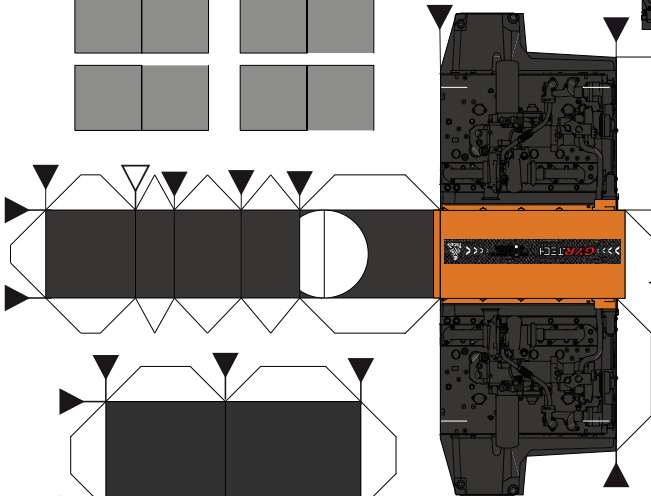
62



16
1mm



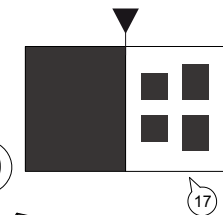
11



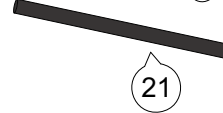
15

18

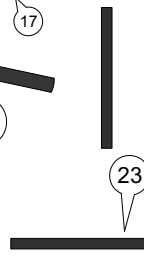
19



17



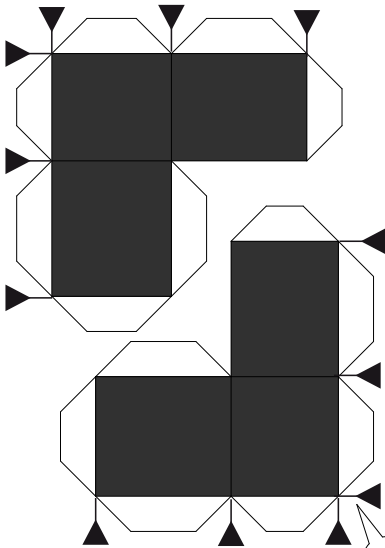
21



23

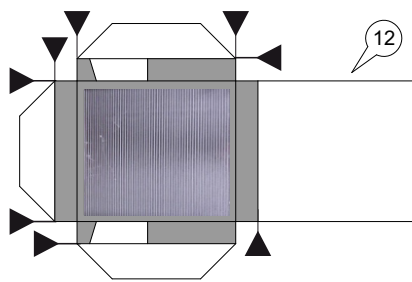
29

28



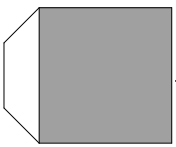
27

20

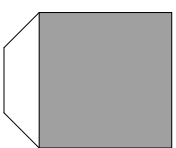


12

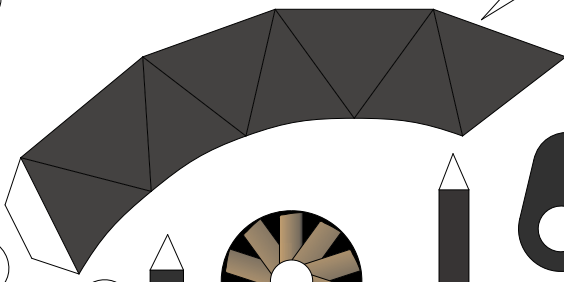
13



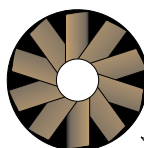
31



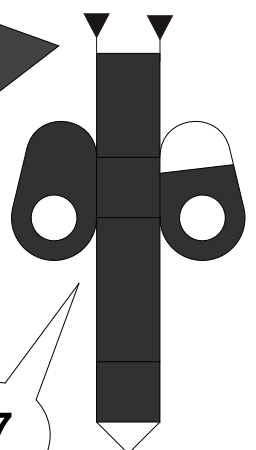
30



8



14



7



5
0,5mm

